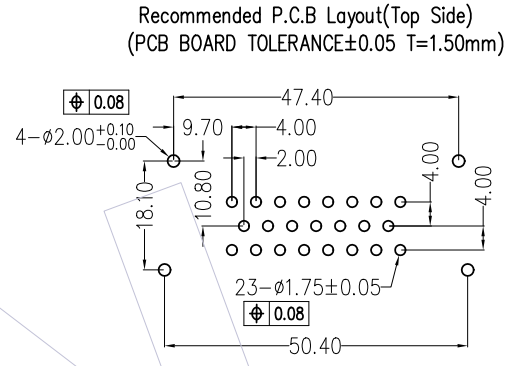
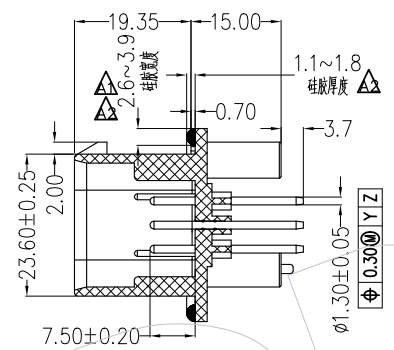
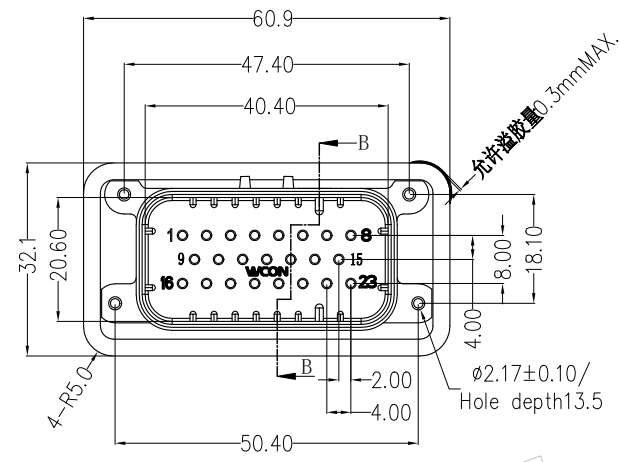


**NOTES:**  
 Rated Current: 5-8A  
 Rated Voltage: 250V AC  
 Contact Resistance: 10mΩ Max.  
 Withstand Voltage: 1000V  
 Insulation Resistance: 5000MΩ Min.  
 Operation Temperature:  
 Tin Plating: -40℃ to +125℃  
 Gold Plating: -40℃ to +125℃

Contact Material: Copper Alloy  
 Contact Plating: Sn or Au over Ni  
 Main Body Material: PBT+30%GF Grey

Waterproof grade: IP68/IP69K(After installation)



**Ordering Information**

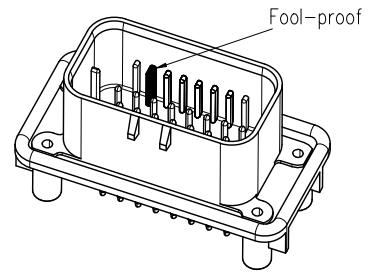
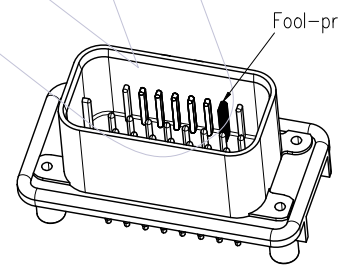
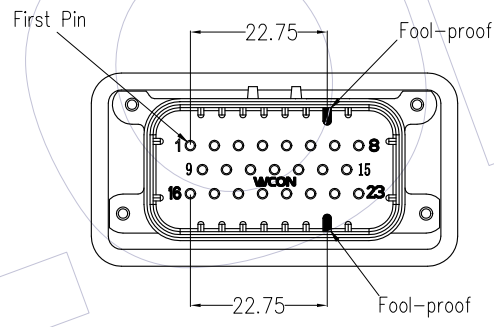
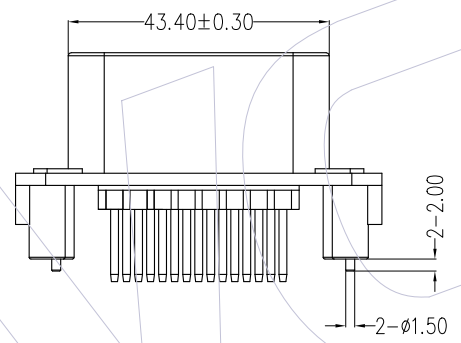
74040-3MS 023 A B XX N A 3 W

**Contact Material:**  
 B=Brass

**Body Material:**  
 A=PBT

**Contact Plating:**  
 G0=1u" Gold  
 G3=10u" Gold  
 SN=Sn  
 SM=Matte Sn

**A=Tray**



Fool-proof Structure

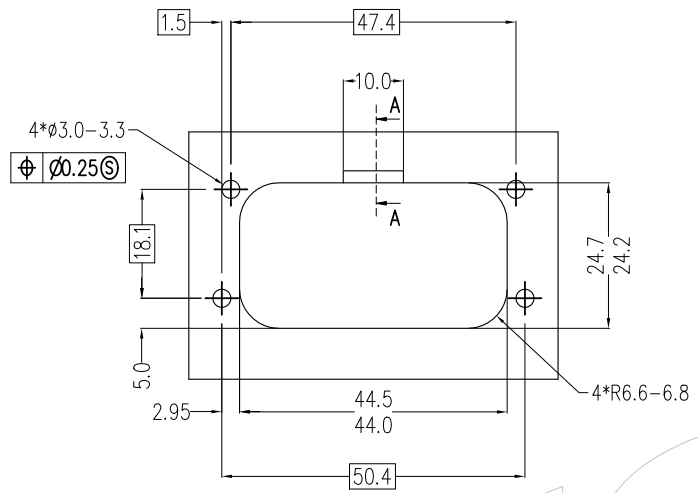
Matched Female Number  
 74040-3FC023AN00WA3W

A4	2019.04.16	Modify	OPERATION	—	DRAW	DATE	SCALE	1:1	PART NO.
A3	2018.11.23	Modify	x.X ±0.40	—	Ding	2019.04.16	UNIT	mm	74040-3MS023ABXXNA3W
A2	2018.09.14	Modify	x.XX ±0.25	—	CHECK	DATE	SIZE	A4	TITLE:
A0	2018.03.12	NEW	x.XXX ±0.15	—	APPROVE	DATE	SHEET	1/2	车用防水型23P插座180度
REV	DATE	MODIFICATION DESCRIPTION	CHANGE	—	DIM	TOL	PROJ.	φ	Customer NO.

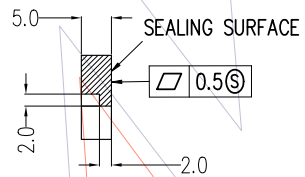
**WCON**  
 Http: www.wcon.com

WCON-Dongguan  
 Tel: +86 769 85358920  
 Fax: +86 769 85358915  
 E-mail: sales@wcon.com

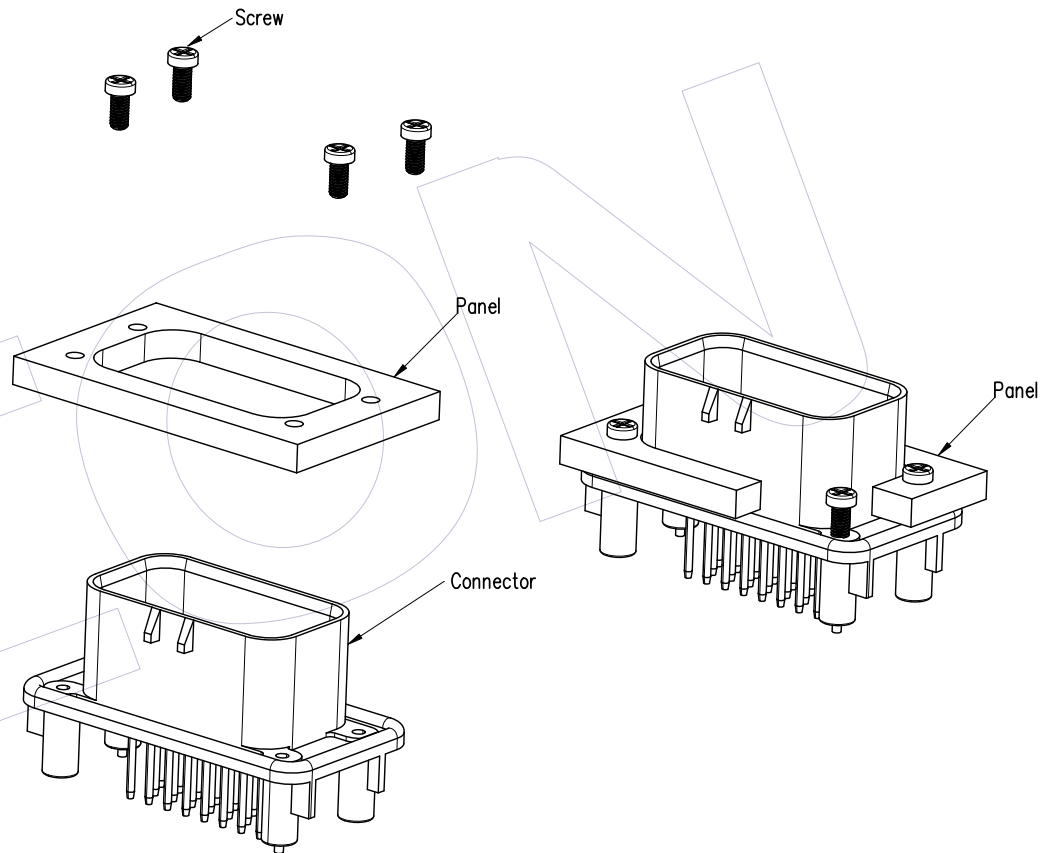
WCON-Kunshan  
 Tel: +86 512 57468408  
 Fax: +86 512 57468468  
 E-mail: salesks@wcon.com



RECOMMENDED MOUNTING HOLE LAYOUT FOR 5.0 MAX THICK PANEL (23PIN)



OPTIONAL CONSTRUCTION IF PANEL THICKNESS IS GREATER THAN 2.0



Explosion View

A4	2019.04.16	Modify	OPERATION	DRAW	DATE	SCALE	1:1	PART NO.
A3	2018.11.23	Modify	x.x ±0.40	Ding	2019.04.16	UNIT	mm	74040-3MS023ABXXNA3W
A2	2018.09.14	Modify	x.xx ±0.25	CHECK	DATE	SIZE	A4	TITLE:
A0	2018.03.12	NEW	x.xxx ±0.15	APPROVE	DATE	SHEET	2/2	车用防水型23P插座180度
REV	DATE	MODIFICATION DESCRIPTION	CHANGE	DIM	TOL	PROJ.		Customer NO.

**WCON**  
 Http: [www.wcon.com](http://www.wcon.com)

WCON-Dongguan  
 Tel: +86 769 85358920  
 Fax: +86 769 85358915  
 E-mail: [sales@wcon.com](mailto:sales@wcon.com)

WCON-Kunshan  
 Tel: +86 512 57468408  
 Fax: +86 512 57468468  
 E-mail: [salesks@wcon.com](mailto:salesks@wcon.com)